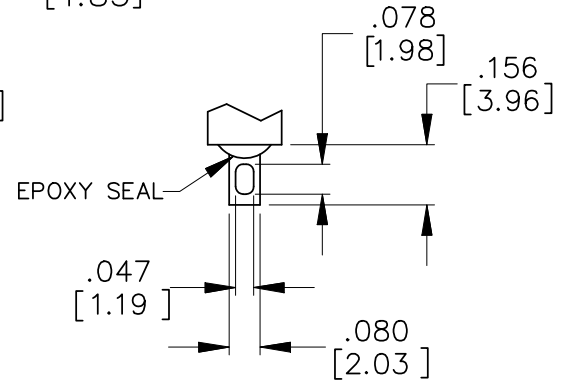
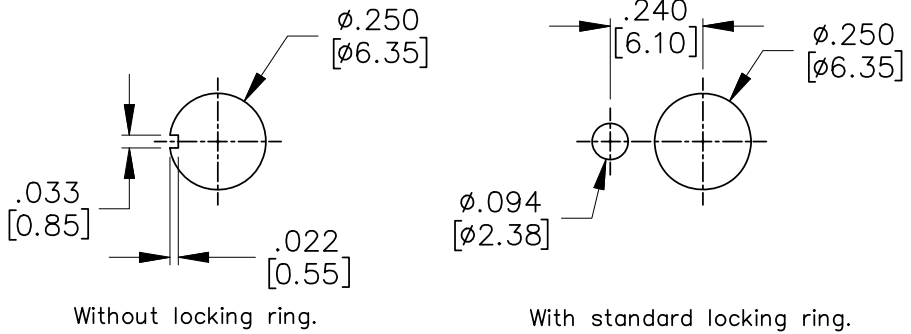
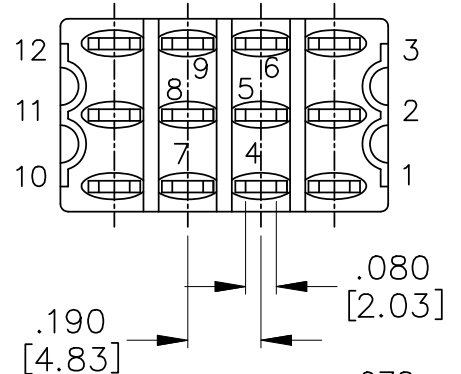
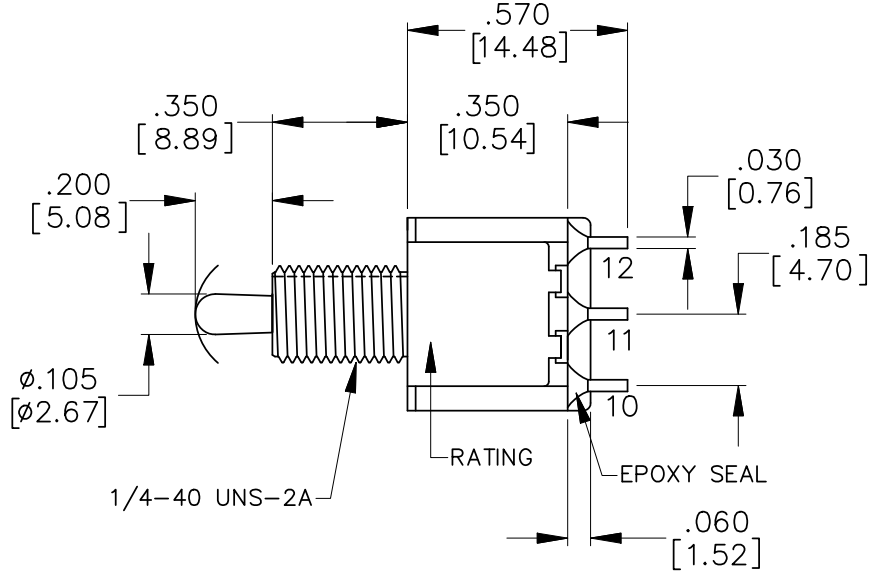
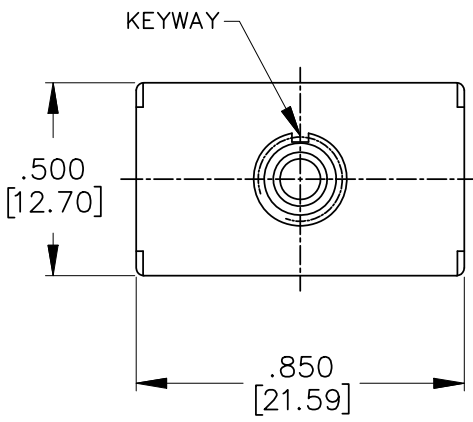


REV. 更改	DESCRIPTION 說明	ENG. 修改人	APPROVE 審核



MODEL NO.	SWITCH POSITION		
4P-6	ON	ON	ON
Term. Comm	2-3,5-6 8-9,11-12	2-3,5-4 8-9,11-10	2-1,5-4 8-7,11-10

PANEL MOUNTING

SOLDER LUG

- SPECIFICATIONS:**
- MOVABLE CONTACT: Copper alloy, silver plated
 - TERMINALS: Copper alloy, silver plated
 - RATING: 5Amps with resistive load @ 120VAC or 28VDC
2Amps with resistive load @ 250VAC
 - CONTACT RESISTANCE: 10mΩ max. initial@2-4VDC
100mA for both silver and gld plated contacts.
 - INSULATION RESISTANCE: 1,000M-ohms min.
 - DIELECTRIC STRENGTH: 1,000Vrms min. @ seal level
 - MECHANICAL LIFE: 40,000 make-and-break cycles.
 - OPERATING TEMPERATURE: -40°C to +85°C

ITEM NO.	100-4P6-T200B1M1QE
料號	1M46T2B100M1QE

THESE DRAWINGS AND SPECIFICATIONS ARE THE PROPERTY OF TAIWAY ELECTRONICS COMPONENTS LTD. AND SHALL NOT BE REPRODUCED COPIED OR USED IN ANY MANNER WITHOUT THE PRIOR WRITTEN CONSENT OF TAIWAY ELECTRONICS COMPONENTS LTD.

UNLESS OTHERWISE SPECIFIED DIMENSIONS ARE IN MILLIMETERS ANGULAR TOLERANCE: ±1.0°

TOLERANCE

0.00mm ±0.25mm
0.0mm ±0.40mm

MATERIAL

CASE: Diallyl phthalate(DAP)(UL94v-0)
ACTUATOR: Brass,chrome plated.
BUSHING: Brass,nickel plated.
HOUSING: Stainless Steel.
TERMINAL/CONTACT: Copper alloy.

泰瑋電子有限公司
TAIWAY ELECTRONICS COMPONENTS CO.,LTD.

USED 用途	100	APPD. 審核	Amy 2020/03/12
FINISH 處理		CHKD. 校對	Amy 2020/03/12
SCALE 比例	/	UNIT 單位	in.(mm)
TITLE 名稱	Toggle Switches		DR. 製圖
DWG NO. 圖號	100-4P6-T200B1M1QE		SIZE 圖紙
FILE NAME 檔案名稱	1M46T2B100M1QE.DWG	SHEET 張	1 / 1
		REV. 更改	2