

15

KLB 3

Jack connectors

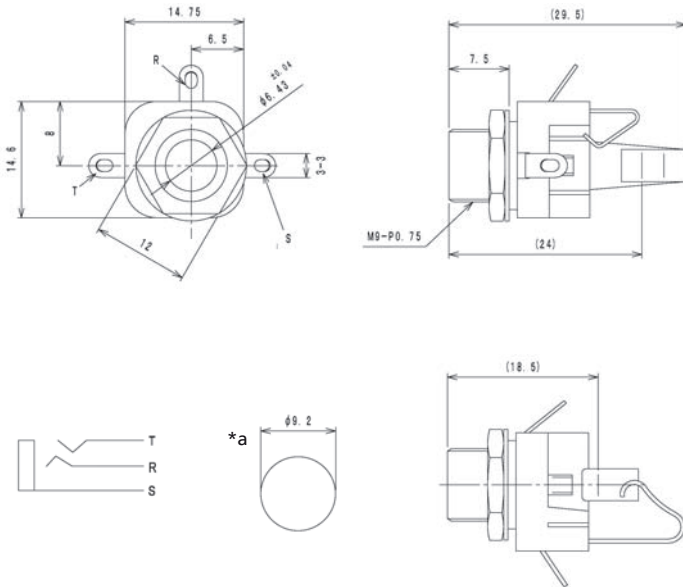


Jack chassis socket acc. to JIS C 6560 JC63J3A, 6.35 mm, 3 poles/stereo, with solder eyes, for back side mounting

State: Active

15

KLB 3



*a port in mounting plate

Environmental conditions

Temperature range -20 °C/+70 °C

Materials

Insulating body	PC, V-2 according to UL94
Contact	Cu alloy, nickel-plated
Hexagonal nut	steel, nickel-plated
Washer	steel, nickel-plated

Mechanical data

Mating cycles	≥ 5000
Insertion force	5–30 N
Withdrawal force	5–30 N

Electrical data (at T_{amb} 20 °C)

Contact resistance	≤ 50 mΩ
Rated current	2 A
Rated voltage	34 V AC/DC
Rated impulse voltage	500 V/60 s
Insulation resistance	≥ 100 MΩ

Associated products

Counterparts
☑ KLS 3